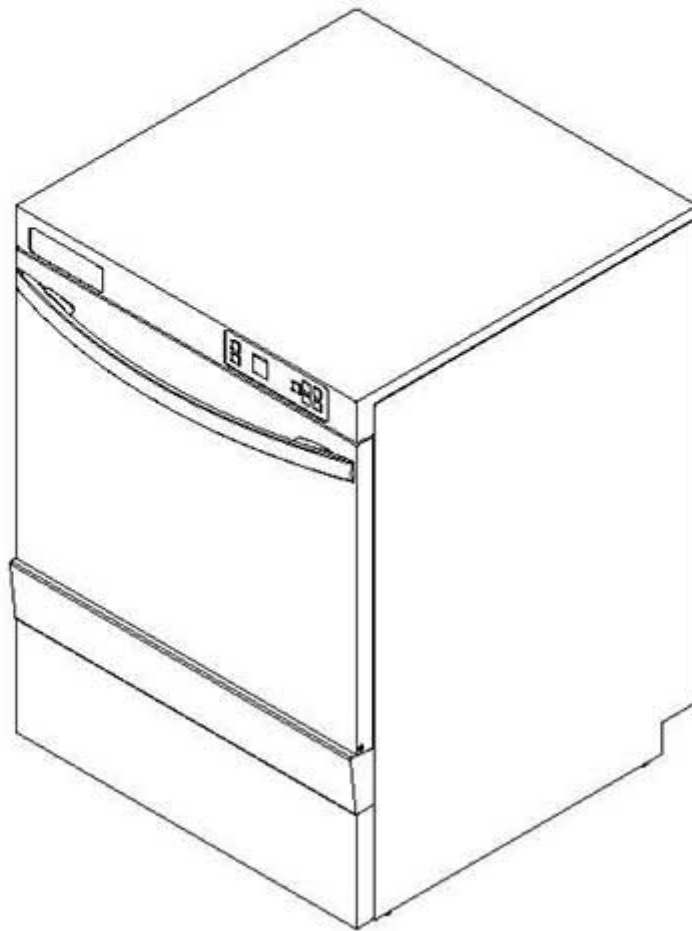


winterhalter

Spare parts list

GS 302 - GS 310 - GS 315



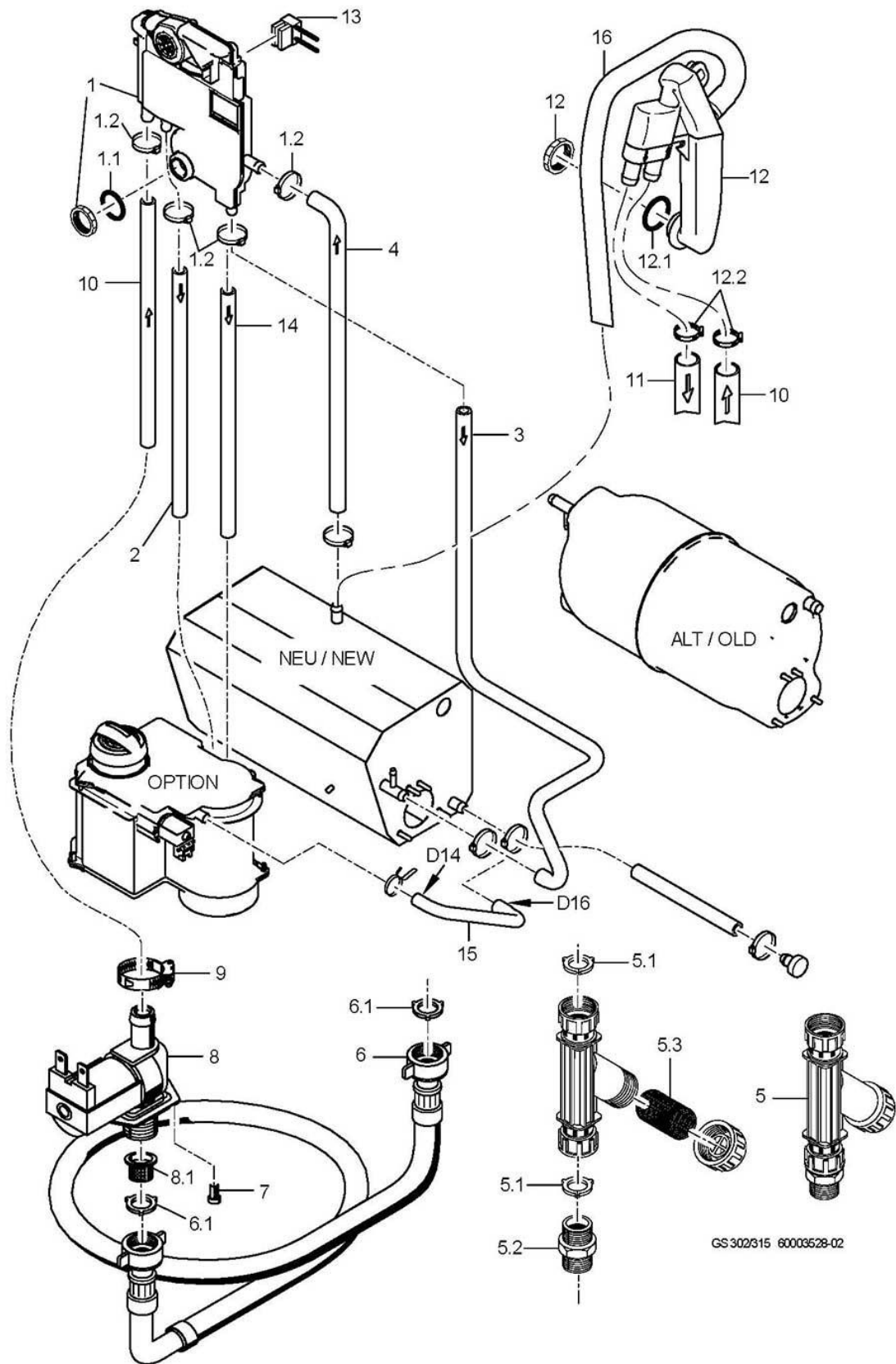
Drawn up: 09/01

Processed: 02.08.09

Parts no.: 89007323

Contents

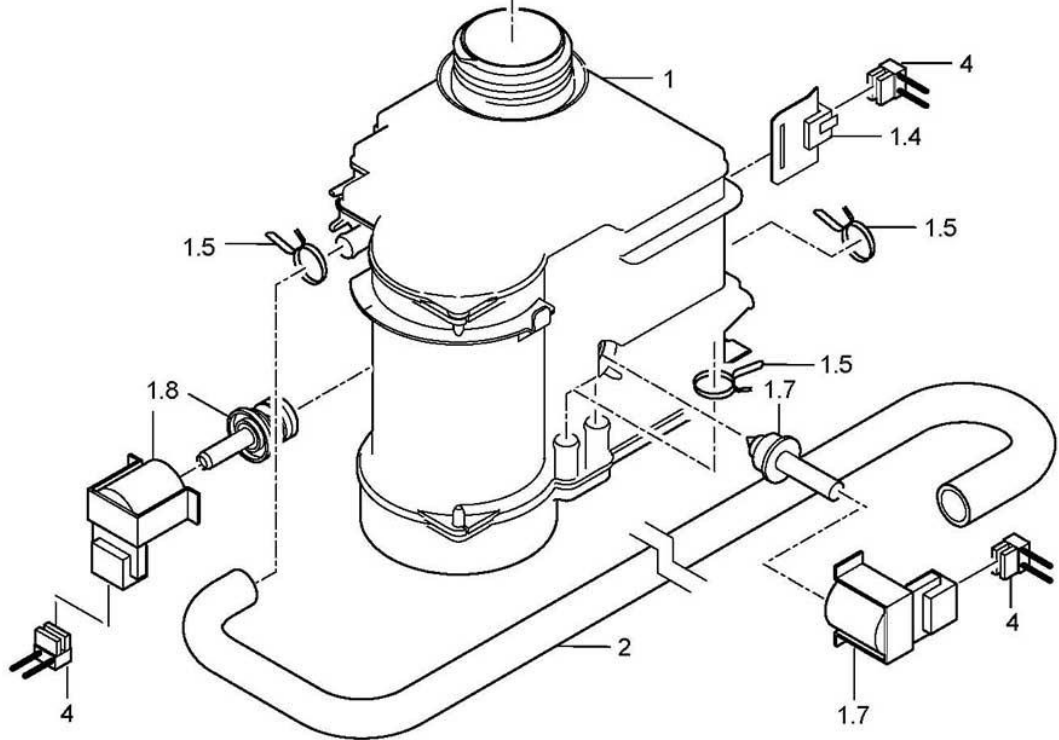
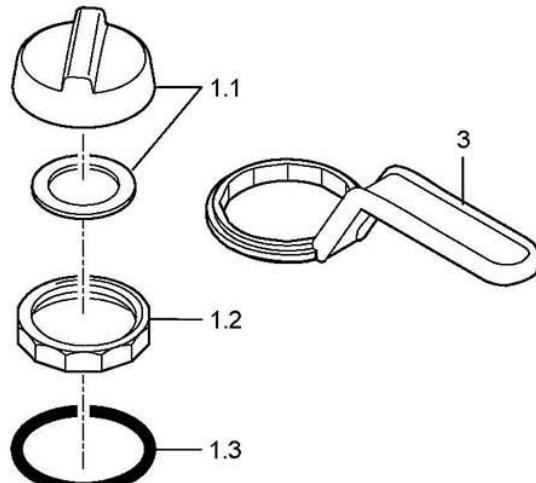
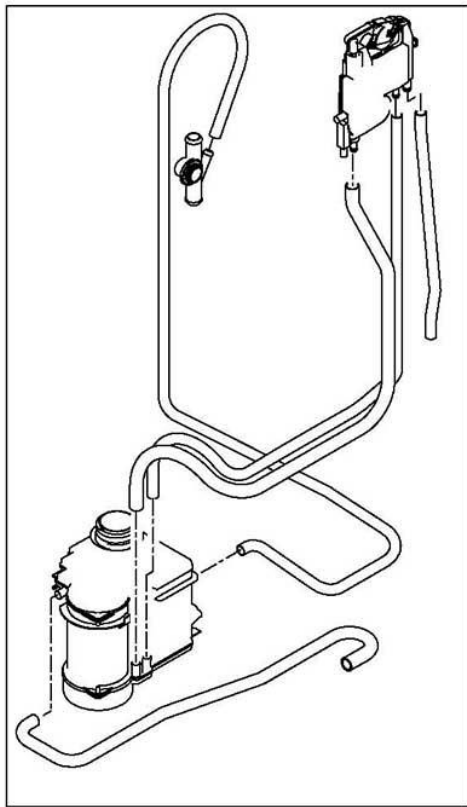
| | |
|----------------------------------|--------------|
| Water inlet | Page 1 - 2 |
| Water softener GS 302, GS 315 | Page 3 - 4 |
| Water drain, Mediamat Cyclo | Page 5 - 6 |
| Wash pump | Page 7 - 8 |
| Bottom washing/rinsing system | Page 9 - 10 |
| Top washing/rinsing system | Page 11 - 12 |
| Pressure boiler GS 302, GS 315 | Page 13 - 14 |
| Pressure-independent boiler | Page 15 - 18 |
| Dosage | Page 19 - 20 |
| Chassis, container and panelling | Page 21 - 22 |
| Door | Page 23 - 24 |
| Electric parts | Page 25 - 28 |



GS 302 - GS 310 - GS 315

Water inlet

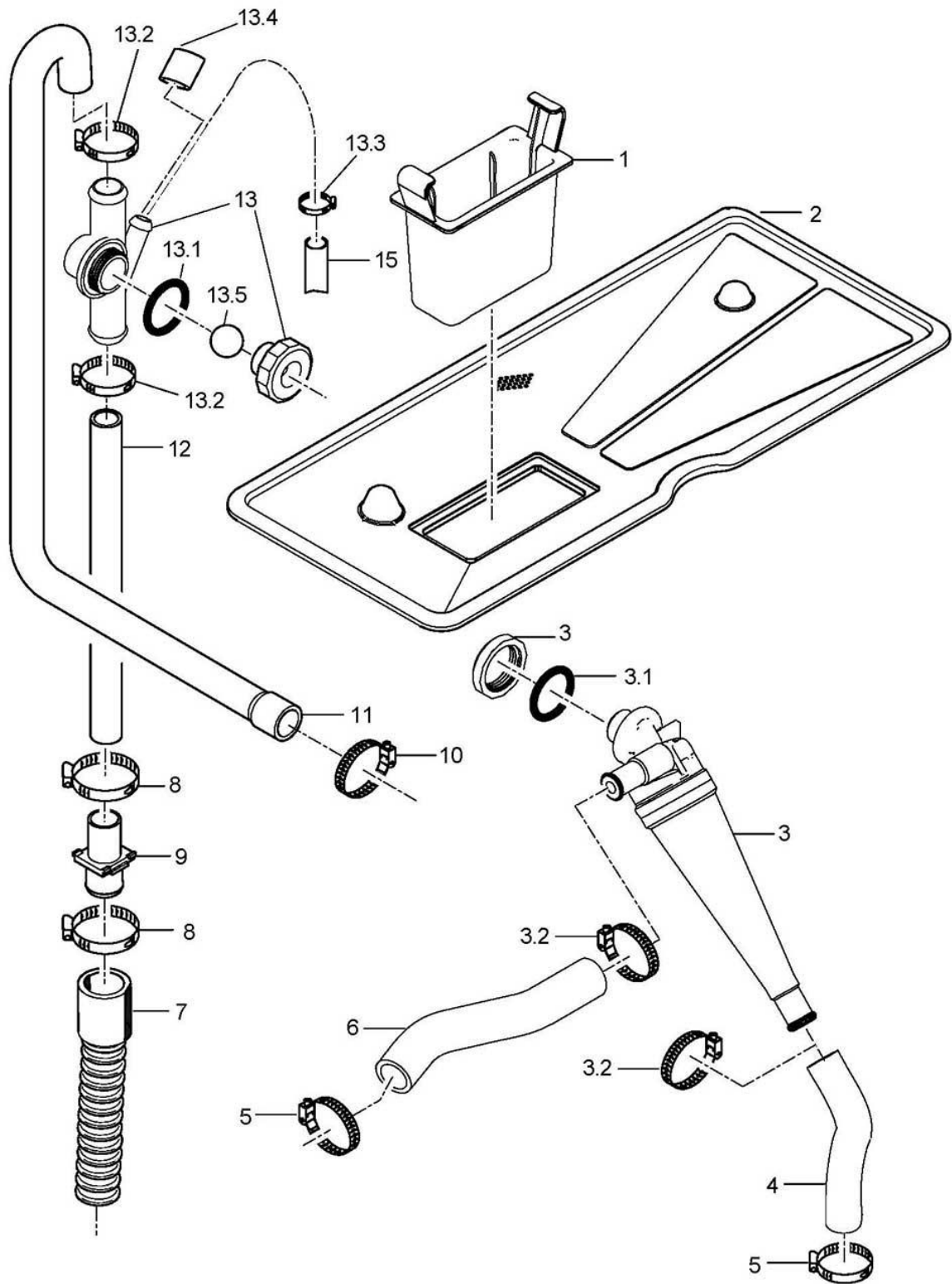
| Item. | Designation | Parts no.: | Pc. | Notes |
|-------|--|------------|-----|--|
| 1 | Set of WSE without impeller counter | 60003511 | | For machines without integrated water softener in the UK and Australia only |
| 1 | WSE with impeller counter kit | 60003512 | | for machines with built-in water softener |
| 1.1 | O-ring; 24 X 3,0 | 27 07 087 | | |
| 1.2 | Hose clamp; D12-22 X 9 | 28 02 105 | 4 | |
| 2 | Hose; DN10 X 2,0 | 40 01 050 | | 820mm; Metre item; Regeneration water softener GS 302, GS 315 |
| 3 | Shaped hose; DN10 X DN12; 549 | 60003154 | | to machine no.: 529 866 |
| 3 | Shaped hose; DN10,5 X DN12; 818 | 60004085 | | From machine no.: 529 867 |
| 4 | Shaped hose; DN12,5 X 3,5; 780 | 60003163 | | to machine no.: 529 866 |
| 4 | Shaped hose; DN12 X 3,0 X 491 | 60004084 | | From machine no.: 529 867 |
| 5 | Dirt trap; 150 µM | 80002153 | | |
| 5.1 | Gasket; D16 X D24 X 3,0 | 80002241 | 3 | |
| 5.2 | Double nipple; G 3/4" X 40; SW30 | 80002167 | | |
| 5.3 | Strainer; D27 X 67 X 150µM | 80002728 | | |
| 6 | Water supply hose; DN13 X 3,5; 2500 | 40 02 060 | | |
| 6.1 | Gasket; D16 X D24 X 3,0 | 80002241 | 2 | |
| 7 | Countersunk screw; M4 X 8 | 20 10 309 | 2 | |
| 8 | Solenoid valve flow restrictor 15l; 230-240V 50/60HZ RAST5 | 31 06 214 | | Pressure boiler ; GS 302, GS 315 |
| 8 | Solenoid valve flow restrictor 5l; 230-240V 50/60HZ RAST5 | 31 06 215 | | Pressure-independent boiler |
| 8 | Solenoid valve flow restrictor 15l; 200-208V 50/60HZ RAST5 | 31 06 212 | | Pressure boiler ; GS 302, GS 315 |
| 8 | Solenoid valve flow restrictor 5l; 200-208V 50/60HZ RAST5 | 31 06 213 | | Pressure-independent boiler |
| 8.1 | Solenoid valve filter | 31 06 186 | | |
| 9 | Hose clamp; D12-22 X 9 | 28 02 105 | | |
| 10 | Industrial hose; DN13 X 3,5 | 40 02 035 | | 670mm; "By-the-metre" goods |
| 11 | Shaped hose; DN13 X 3,5 X 716 | 60003155 | | to machine no.: 545 164 |
| 11 | Moulded hose; DN12 X DN13,5 X 3,0 | 60004287 | | From machine no.: 545 165 |
| 12 | Reverse flow inhibitor kit | 60003846 | | to machine no.: 479 915 ; order too 670mm x 4002029 + 60003155 |
| 12 | Reverse flow inhibitor kit | 60003846 | | From machine no.: 479 916; For machines with pressure boiler |
| 12 | Reverse flow inhibitor kit | 60003846 | | From machine no.: 545 165; For machines without integrated water softener, not for UK and Australia |
| 12 | Separate check valve set | 60004391 | | to machine no.: 545 164; Replacement for WSE set (pos. 1) for machines without integrated water softener, not for UK and Australia |
| 12.1 | O-ring; 24 X 3,0 | 27 07 087 | | |
| 12.2 | Hose clamp; D12-22 X 9 | 28 02 105 | 4 | |
| 13 | Cable WMZ; 2 X 0,34QMM | 60003179 | | Pressure-independent boiler and water softener installed |
| 14 | Hose; DN10 X 2,0 | 40 01 050 | | 740 mm; "By-the-metre" goods |
| 15 | Shaped hose; DN10 X DN12,50 X 2,0 | 60003158 | | to machine no.: 529 866 |
| 15 | Shaped hose; DN10 X DN12 X 2,0 | 60004083 | | From machine no.: 529 867 |
| 16 | Moulded hose; DN12 X DN13,5 X 3,0 | 60004288 | | From machine no.: 545 165 |



GS302/315 6000629-00

GS 302 - GS 310 - GS 315**Water softener GS 302, GS 315**

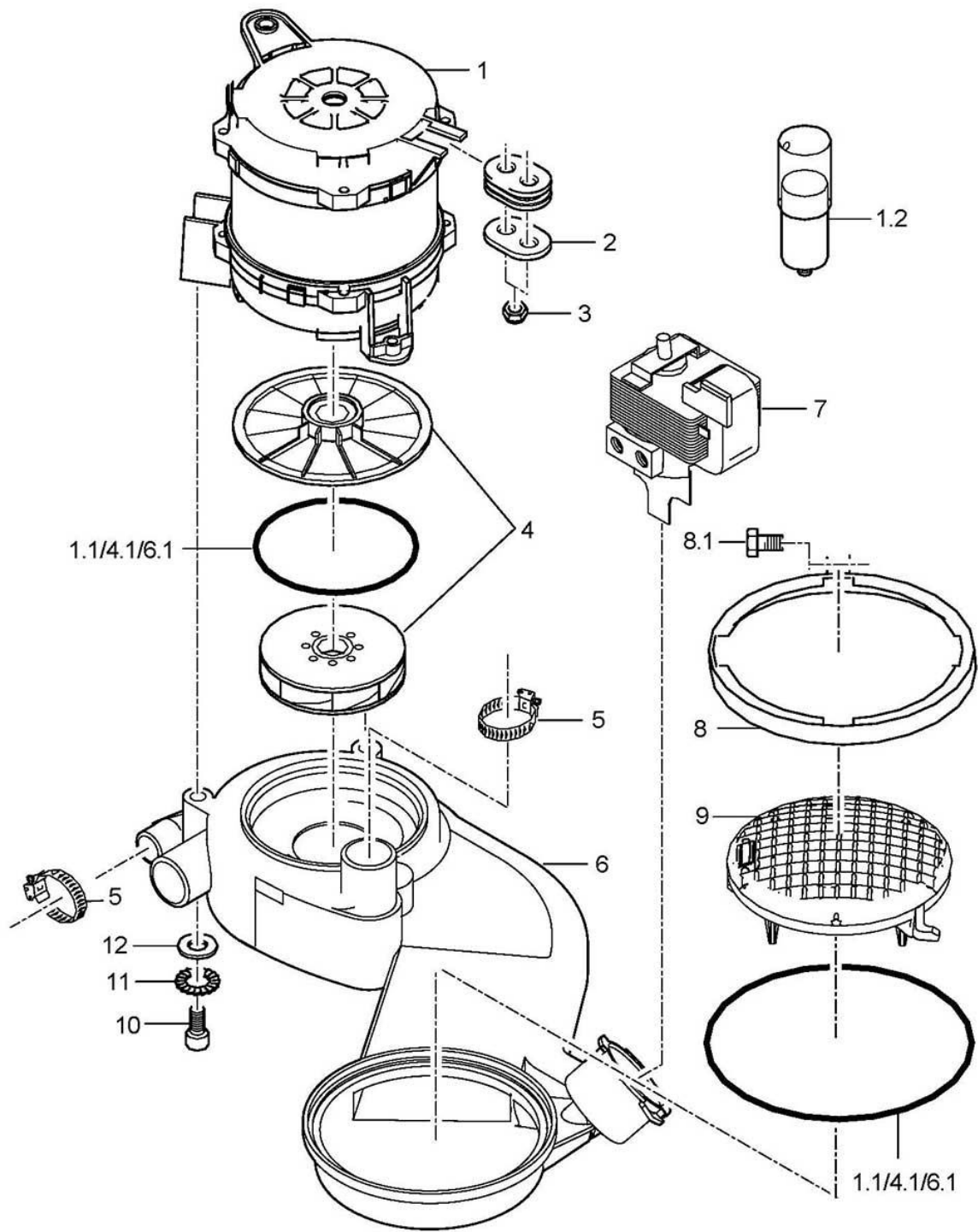
| Item. | Designation | Parts no.: | Pc. | Notes |
|-------|---|------------|-----|---------------------------|
| 1 | Water softener kit; 220-240V; 50/60HZ | 83000420 | | |
| 1 | Water softener kit; 200-210V; 50/60HZ | 83000421 | | |
| 1.1 | Cover, complete, with seal | 83000407 | | |
| 1.2 | Lock nut; S54 X 4; D56 | 60003001 | | |
| 1.3 | O-ring; 54 X 5 | 27 07 065 | | |
| 1.4 | Dry reed contact lack of salt | 83000408 | | |
| 1.5 | Wire hose clamp; D14,4 X 15,1 | 28 02 344 | 4 | |
| 1.7 | Repair kit regeneration valve; 220-240V,50/60HZ | 83000402 | | |
| 1.7 | Repair kit regeneration valve; 200-210V,50/60HZ | 83000463 | | |
| 1.8 | Repair kit reversing valve; 220-240V,50/60HZ | 83000460 | | |
| 1.8 | Repair kit reversing valve; 200-210V,50/60HZ | 83000467 | | |
| 2 | Shaped hose; DN10 X DN12,50 X 2,0 | 60003158 | | to machine no.: 529 866 |
| 2 | Shaped hose; DN10 X DN12 X 2,0 | 60004083 | | From machine no.: 529 867 |
| 3 | Double hex ring spanner; SW61,5 | 60003376 | | |
| 4 | Wiring loom; Water softener | 60003185 | | |
| o.P. | Filling funnel | 35 02 013 | | |



GS 302/315 60003530-01

GS 302 - GS 310 - GS 315**Water drain, Mediamat Cyclo**

| Item. | Designation | Parts no.: | Pc. | Notes |
|-------|---------------------------------|------------|-----|---|
| 1 | Filter cartridge cpl. | 60003039 | | |
| 2 | Kit flat filter | 60004142 | | |
| 3 | Mediamat Cyclo kit | 60003513 | | |
| 3.1 | O-ring; 17 X 3 | 27 07 068 | | |
| 3.2 | Hose clamp; D12-22 X 9 | 28 02 105 | 2 | |
| 4 | Shaped hose; DN12,5 X 2,0 | 60003165 | | |
| 5 | Hose clamp; D12-22 X 9 | 28 02 105 | | |
| 6 | Industrial hose; DN13 X 3,5 | 40 02 035 | | 145 mm; "By-the-metre" goods |
| 7 | Drain hose; 1500 LG | 60003738 | | |
| 8 | Hose clamp; D20-30 X 12 | 28 02 109 | | |
| 9 | Double nipple; D21,80 X 49; D19 | 60003399 | | |
| 10 | Hose clamp; D20-30 X 12 | 28 02 109 | | |
| 11 | Shaped hose; DN18 X DN22; 814 | 60003281 | | to machine no.: 496 112 |
| 11 | Shaped hose; DN18 X DN22 X 2,25 | 60004004 | | From machine no.: 496 113 |
| 12 | Reinforced hose; DN19 X 2,5 | 40 01 046 | | 450 mm; "By-the-metre" goods |
| 13 | Deaeration kit | 60003514 | | |
| 13.1 | O-ring; 24 X 3,0 | 27 07 087 | | |
| 13.2 | Hose clamp; D20-30 X 12 | 28 02 109 | 2 | |
| 13.3 | Hose clamp; D10-16 X 9 | 28 02 307 | | |
| 13.4 | Round cap; D11 X 20 | 35 03 029 | | |
| 13.5 | Ball; D14 | 28 01 508 | | |
| 15 | Shaped hose; DN10 X 2,0 | 60003280 | | from built-in water softener ; GS 302, GS 315 |

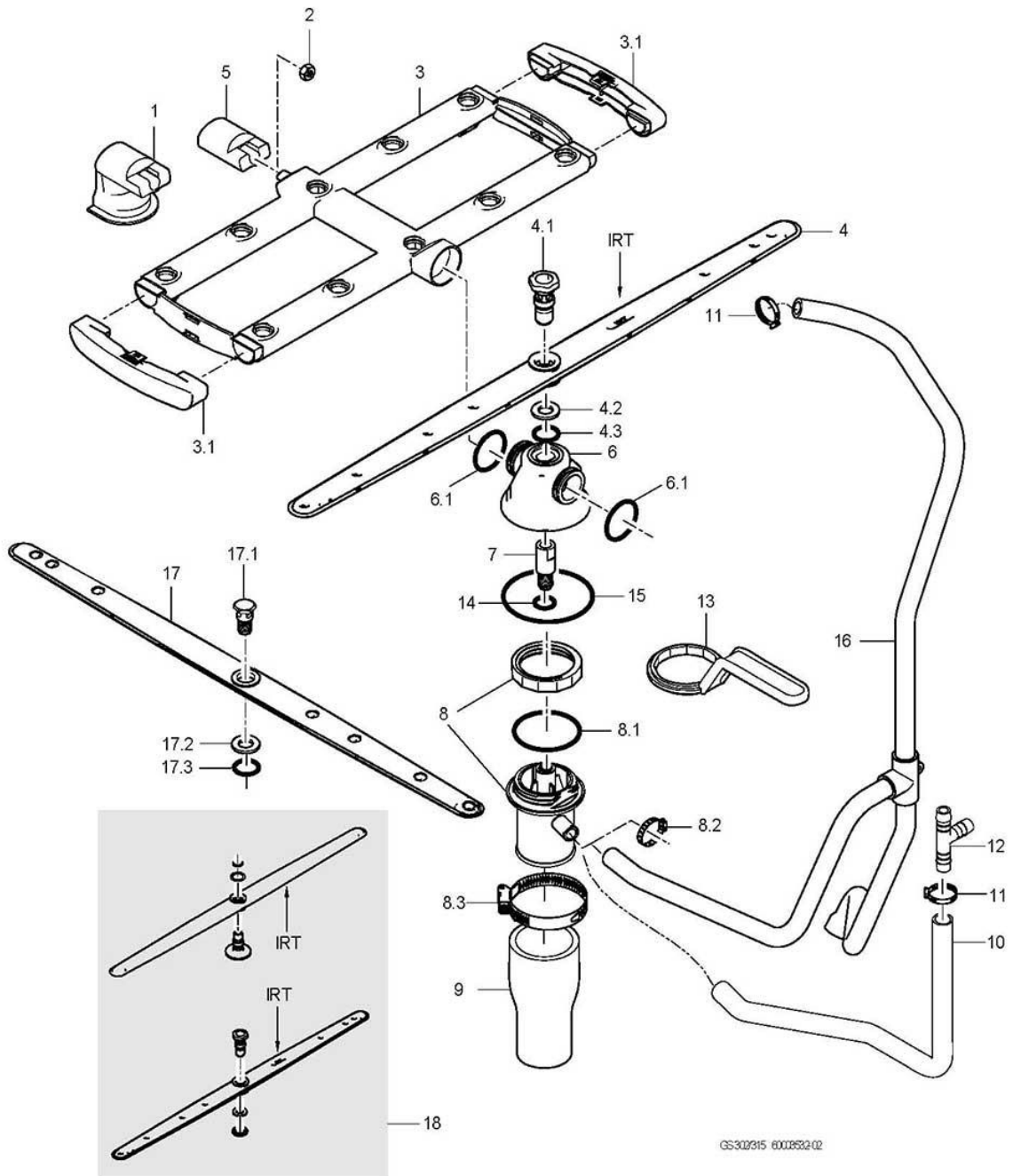


GS302315 60003531-00

GS 302 - GS 310 - GS 315

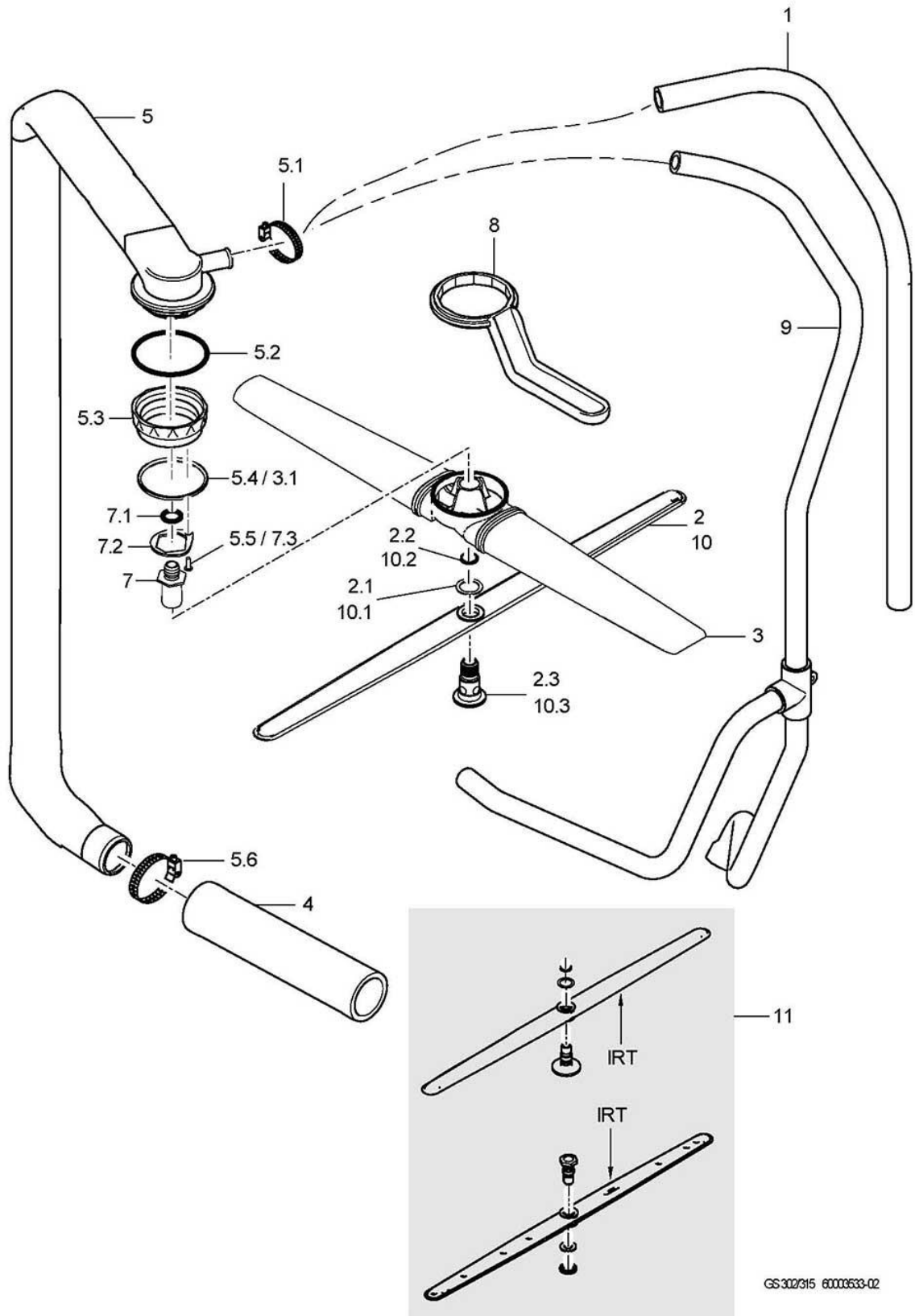
Wash pump

| Item. | Designation | Parts no.: | Pc. | Notes |
|-------|--------------------------------------|------------|-----|---|
| 1 | Pump motor kit; 230-240V/50-60HZ | 60003595 | | we recommend ordering the set of pump running wheels, as well, when the motor is replaced |
| 1 | Pump motor kit; 200V/50-60HZ | 60003596 | | we recommend ordering the set of pump running wheels, as well, when the motor is replaced |
| 1.1 | Sealing for pump system kit | 60003591 | | |
| 1.2 | Capacitor; 10YF 400V; D35 X 80 | 31 13 120 | | |
| 1.2 | Capacitor; 12YF 400V; | 31 13 122 | | Japan |
| 2 | Spacer washer; 1,25 X 18 X 28 | 60003298 | | |
| 3 | Hexagonal nut; M5 SELBSTSICHERND | 21 05 302 | 4 | |
| 4 | Impeller with sealings kit; D92 | 60003592 | | 50 Hz |
| 4 | Impeller with sealings kit; D75 | 60003593 | | 60 Hz |
| 4.1 | Sealing for pump system kit | 60003591 | | |
| 5 | Hose clamp; D32-52 X 12 | 28 02 110 | 2 | |
| 6 | Collector kit; WASCHSYSTEM UNT.+OBEN | 60003620 | | |
| 6.1 | Sealing for pump system kit | 60003591 | | |
| 7 | Drain pump; 220-240V/50HZ | 31 02 480 | | |
| 7 | Drain pump; 200V/50HZ;220-240V/60H | 31 02 493 | | |
| 7 | Drain pump; 200V/60HZ | 31 02 495 | | |
| 8 | Pump clip | 62003437 | | |
| 8.1 | Hexagon screw; M5 X 40; A70 | 20 01 329 | | |
| 9 | Filter insert | 60003259 | | |
| 10 | Cylinder head screw; M5 X 20; 8,8 | 20 09 337 | 3 | |
| 11 | Serrated lock washer; A-5,3 | 22 02 316 | 3 | |
| 12 | Washer; D5,3 X D10 X 1,0 | 22 01 300 | 3 | |
| o.P. | Assembly device, complete | 60003450 | | Tool for exchanging drain pot |



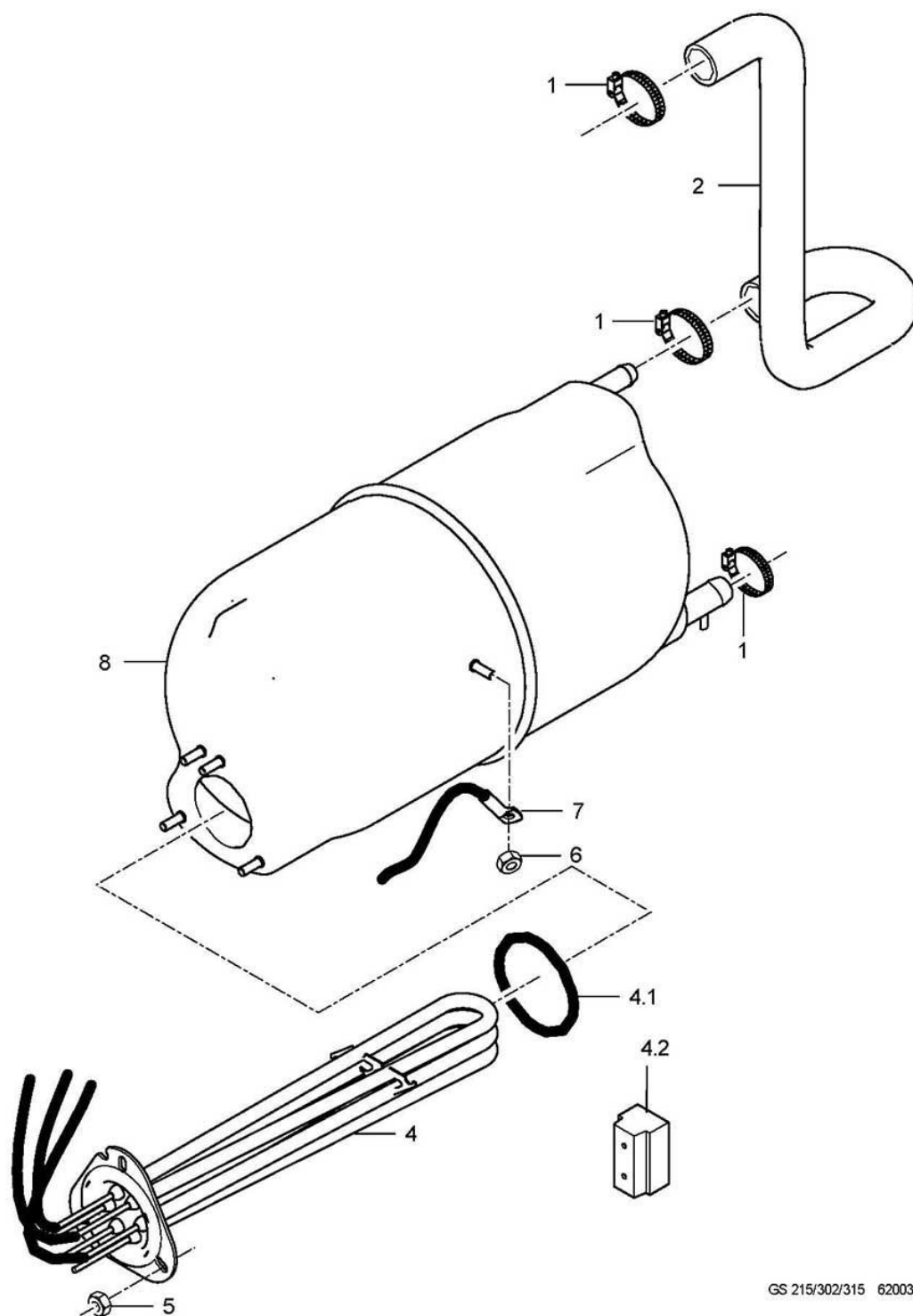
GS 302 - GS 310 - GS 315**Bottom washing/rinsing system**

| Item. | Designation | Parts no.: | Pc. | Notes |
|-------|--|------------|-----|--|
| 1 | Wash unit support; 70,70 LG | 60003435 | | no longer deliverable; replaced by: Kit flat filter 60004142 (incl. wash unit support) |
| 2 | Ratchet nut; M5 | 21 01 310 | 2 | |
| 3 | Wash unit cpl.; 10 DÜSEN; 461 LG | 60003803 | 2 | |
| 3.1 | End piece; 31,50 X 152 | 60003802 | | |
| 4 | Rotating rinse arm, min. 2.4 l | 61006612 | | From machine no.: 548 506; For machines with reduced rinse water volume |
| 4.1 | Rotary arm screw; M12 X 36; SW19 | 60004123 | | |
| 4.2 | Washer; D12,5 X D24 X 2,5 | 60003386 | | |
| 4.3 | O-ring; 10 X 2,5 | 27 07 030 | | |
| 5 | Wash unit support; 58,04 LG | 60002999 | | |
| 6 | Distributor top kit | 60003516 | | |
| 6.1 | Seal ring; D29,3 X D33,8 X 2,5 | 60004276 | 2 | |
| 7 | Revolving rinse arm spindle; D16 X 44,5; M12 | 60003043 | | |
| 8 | Distributor bottom kit | 60003518 | | |
| 8.1 | O-ring; 56 X 3,0 | 27 07 086 | | |
| 8.2 | Hose clamp; D12-22 X 9 | 28 02 105 | 2 | |
| 8.3 | Hose clamp; D47-67 X 12 | 28 02 115 | | |
| 9 | Reducing hose; DN33 X DN46; 97 | 60004591 | | |
| 10 | Industrial hose; DN13 X 3,5 | 40 02 035 | | 460mm; "By-the-metre" goods |
| 11 | Hose clamp; D12-22 X 9 | 28 02 105 | | |
| 12 | Hose T-connecting piece; D15 X D15 X D15 | 70010598 | | Pressure boiler |
| 13 | Double hex ring spanner; SW61,5 | 60003376 | | |
| 14 | O-ring; 10 X 1 | 27 07 054 | | |
| 15 | O-ring; 66 X 2,5 | 27 07 011 | | No longer has to be installed |
| 16 | Rinse manifold | 60003831 | | Pressure-independent boiler |
| 17 | Rinsing wash arm set; 7 DÜSEN | 60003515 | | to machine no.: 548 505 |
| 17.1 | Revolving arm screw; M12 X 30; SW19 | 60003045 | | no longer deliverable; up to mach. no.: 496 628 replaced by 60003515 |
| 17.1 | Rotary arm screw; M12 X 36; SW19 | 60004123 | | From machine no.: 496 629 |
| 17.2 | Washer; D12,5 X D24 X 2,5 | 60003386 | | |
| 17.3 | O-ring; 10 X 2,5 | 27 07 030 | | |
| 18 | Rotating rinse arm conversion, min. 2.4 l; GS215; GS300; GS502 | 61006613 | | to machine no.: 548 505; For machines with non pressurised boilers |



GS 302 - GS 310 - GS 315**Top washing/rinsing system**

| Item. | Designation | Parts no.: | Pc. | Notes |
|-------|--|------------|-----|---|
| 1 | Shaped hose; DN12,5 X DN14 X 3,5 | 60003160 | | Pressure boiler |
| 2 | Rotating rinse arm, min. 2.4 l | 61006612 | | From machine no.: 548 506; For machines with reduced rinse water volume |
| 2.1 | Rotary arm screw, M12 X 36; SW19 | 60004123 | | |
| 2.2 | Washer; D12,5 X D24 X 2,5 | 60003386 | | |
| 2.3 | O-ring; 10 X 2,5 | 27 07 030 | | |
| 3 | Set of rotary arms washing | 60003520 | | |
| 3.1 | Seal ring; D53,4 X D57,8 X 2,0 | 60003021 | | |
| 4 | Hose; DN33 X 4,0; 225 | 60004843 | | adapt |
| 5 | Washing distributor top kit | 60003519 | | |
| 5.1 | Hose clamp; D12-22 X 9 | 28 02 105 | | |
| 5.2 | O-ring; 56 X 3,0 | 27 07 086 | | |
| 5.3 | Lock nut; S54 X 4; D57 | 60003005 | | |
| 5.4 | Seal ring; D53,4 X D57,8 X 2,0 | 60003021 | | |
| 5.5 | Sheet metal screw; ST 3,5 X 9,5 | 20 20 305 | | |
| 5.6 | Hose clamp; D32-52 X 12 | 28 02 110 | | |
| 7 | Revolving rinse arm spindle kit | 60003616 | | |
| 7.1 | O-ring; 10 X 2,0 | 27 07 080 | | |
| 7.2 | Washer; 1,5 X 28 X 32,3 | 61006076 | | |
| 7.3 | Sheet metal screw; ST 3,5 X 9,5 | 20 20 305 | | |
| 8 | Double hex ring spanner; SW61,5 | 60003376 | | |
| 9 | Rinse manifold | 60003831 | | Pressure-independent boiler |
| 10 | Rinsing wash arm set; 7 DÜSEN | 60003515 | | to machine no.: 548 505 |
| 10.1 | Washer; D14,10 X D20 X 1,0 | 60003487 | | |
| 10.2 | Locking ring; D12 X 0,8 | 60003023 | | |
| 10.3 | Revolving arm screw, M12 X 32,3; D25 | 60003821 | | no longer deliverable; up to mach. no.: 496 628 replaced by 60003515 |
| 10.3 | Rotary arm screw, M12 X 34,9; D35 | 60004125 | | From machine no.: 496 629 |
| 11 | Rotating rinse arm conversion, min. 2.4 l; GS215; GS300; GS502 | 61006613 | | to machine no.: 548 505; For machines with non pressurised boilers |

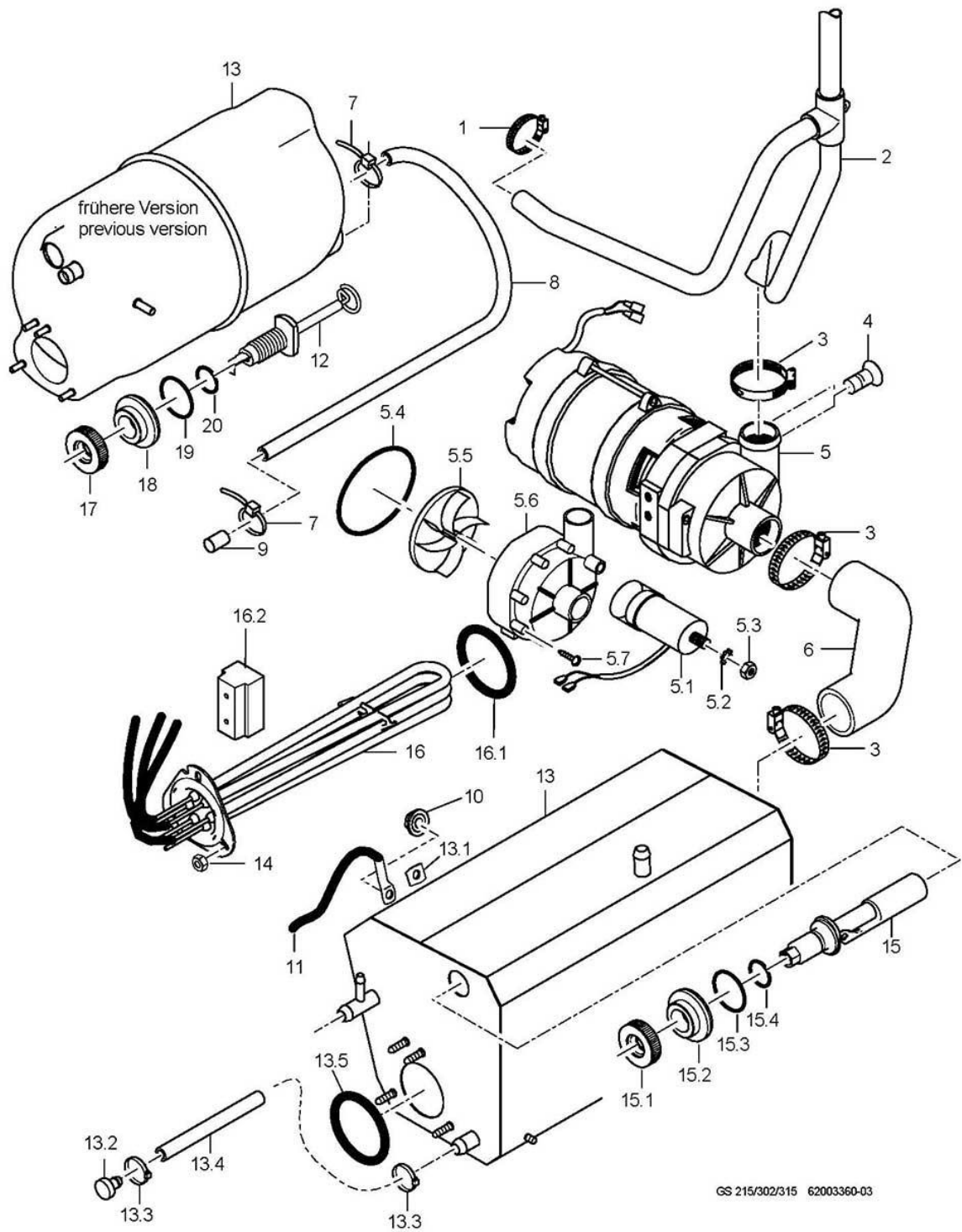


GS 215/302/315 62003359-00

GS 302 - GS 310 - GS 315

Pressure boiler GS 302, GS 315

| Item. | Designation | Parts no.: | Pc. | Notes |
|-------|---|------------|-----|---|
| 1 | Hose clamp; D12-22 X 9 | 28 02 105 | | |
| 2 | Shaped hose; DN12,5 X 3,5 X 286 | 60003162 | | |
| 4 | Heater with fuse; 5.0kW; 3 X 380-420V | 60003598 | | Rotary current (star connection) |
| 4 | Heater with fuse; 5.0kW; 3 X 240V DREIECK | 60003599 | | Rotary current (delta connection) |
| 4 | Heater with fuse; 5.0kW; 3 X 200-208V STERN | 60003600 | | |
| 4 | Heater with fuse; 5.0kW; 3 X 380-420V STERN | 60003601 | | Rotary current (Australia) |
| 4 | Heater with fuse; 5.0kW; 3 X 440-460V STERN | 60003833 | | |
| 4 | Heater with fuse; 3.5kW; 3 X 400V STERN | 60003602 | | Rotary current (fuse protection 10A) |
| 4 | Heater with fuse; 4.0kW; 1 X 220-240V | 60003604 | | Alternating current (fuse protection 25A; UK) |
| 4 | Heater with fuse; 2.6kW; 1 X 220-240V | 60003605 | | Alternating current (fuse protection 16A) |
| 4 | Heater with fuse; 2.6kW; 1 X 240V | 60003606 | | Alternating current (fuse protection 16A; Australia) |
| 4 | Heater with fuse; 2.6kW; 1 X 208V | 60003607 | | Alternating current (fuse protection 20A; Japan, USA) |
| 4 | Heater with fuse; 1.8kW; 1 X 220-240V | 60003610 | | Alternating current (fuse protection 13A; UK) |
| 4.1 | O-ring; 46 X 6,0 | 27 07 085 | | |
| 4.2 | Appliance terminal G10/4; 4-POLIG; 10QMM | 31 09 227 | | |
| 5 | Hexagonal nut; M5 | 21 01 203 | 3 | |
| 6 | Ratchet nut; M5 | 21 01 310 | | |
| 7 | Thermal sensor kit 1700mm | 80003804 | | with heat-conducting foil |
| 8 | Pressure boiler cpl. | 60002916 | | |

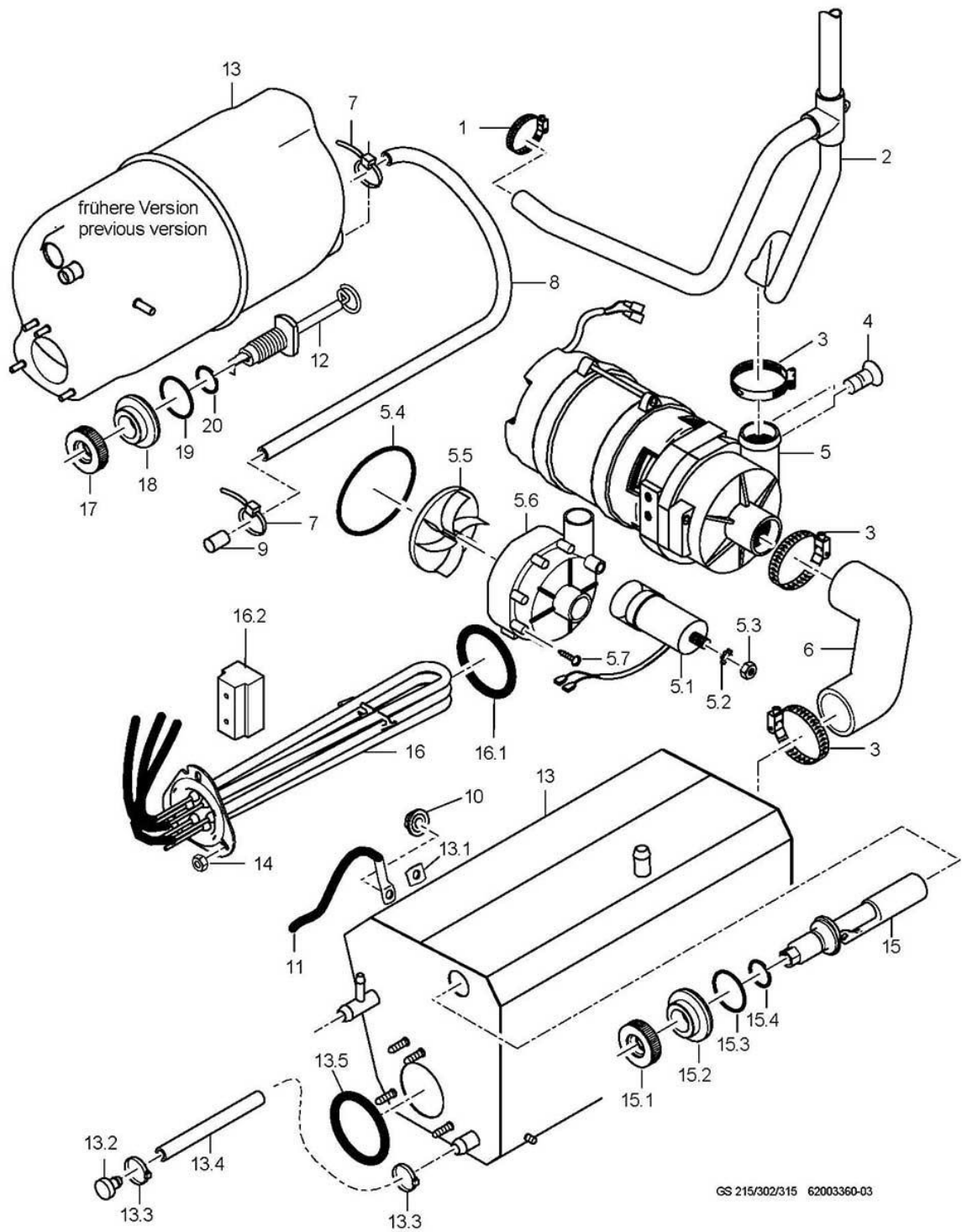


GS 302 - GS 310 - GS 315

Pressure-independent boiler

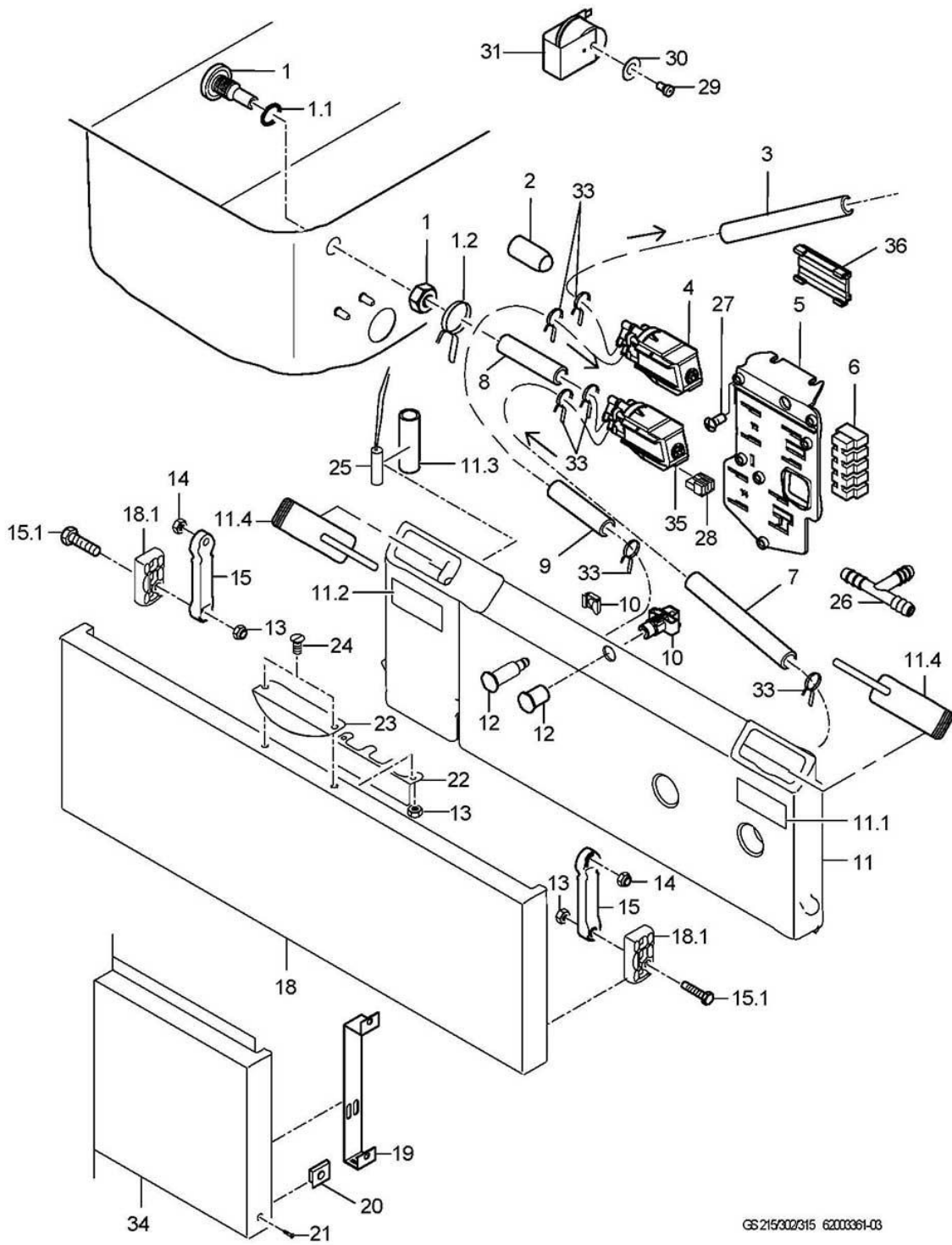
| Item. | Designation | Parts no.: | Pc. | Notes |
|-------|--|------------|-----|---|
| 1 | Hose clamp; D12-22 X 9 | 28 02 105 | | |
| 2 | Rinse manifold | 60003831 | | |
| 3 | Hose clamp; D24-36 X 12 | 28 02 111 | | |
| 4 | Countersunk screw; M6 X 16 | 20 12 319 | 2 | |
| 5 | Pump 0.14kW 3/3; 220V/240V/1/50HZ | 31 02 561 | | Repair recommended only for pump housings with 7 screws |
| 5 | Pump 0.27kW 3/3; 220V/240V/1/60HZ | 31 02 461 | | Repair recommended only for pump housings with 7 screws |
| 5 | Pump 0.27kW 3/3; 200V/1/50HZ | 31 02 462 | | Repair recommended only for pump housings with 7 screws |
| 5 | Pump 0.27kW 3/3; 200V/1/60HZ | 31 02 463 | | Repair recommended only for pump housings with 7 screws |
| 5.1 | Capacitor; 4 MIKRO F / 400V | 31 13 171 | | |
| 5.1 | Capacitor; 5 MIKRO F | 31 13 099 | | |
| 5.2 | Spring washer; B8 | 23 03 301 | | |
| 5.3 | Hexagonal nut; M8 | 21 01 305 | | |
| 5.4 | Cord; D=78 X 3; SHOR 50-55; | 40 04 023 | | |
| 5.5 | Pump impeller; FÜR UP60/UP30 MIT 50HZ | 31 02 466 | | 50 Hz |
| 5.5 | Pump impeller, installed; FÜR UP60 MIT 60HZ | 31 02 587 | | 60 Hz |
| 5.6 | Pump housing; D=80,5MM | 31 02 519 | | |
| 5.7 | Screw for pump housing | 31 01 118 | 7 | |
| 6 | Shaped hose; DN25 X 4,0; 140 | 60002973 | | |
| 7 | Cable tie; 100 X 2,5 | 31 20 175 | | |
| 8 | Hose; DN5 X 1,5 | 40 01 024 | | 900 mm; "By-the-metre" goods |
| 9 | Bolt; D6 X 30 | 70200383 | | |
| 10 | Ratchet nut; M5 | 21 01 310 | | |
| 11 | Thermal sensor kit 1700mm | 80003804 | | with heat-conducting foil |
| 12 | Floating switch installation set | 55 28 255 | | Replacement for: 5528292 (Built-in electrode) |
| 12.1 | Nut; M14 X 2, D26,8 X 8 | 60003989 | | |
| 12.2 | Ring; D14,3 X D32 X 11 | 60003872 | | |
| 12.3 | O-ring; 23 X 3,5 | 27 07 093 | | |
| 12.4 | O-ring; 11,11 X 1,78 | 27 07 079 | | |
| 13 | Pressure-independent boiler | 60004174 | | includes all necessary hoses |
| 13.1 | Heat conducting foil with hole; 0,25 X 12 X 15 | 61005285 | | |
| 13.2 | Plug; D24 X D13,1 X 27 | 70007962 | | |
| 13.3 | Hose clamp; D12-22 X 9 | 28 02 105 | | |
| 13.4 | Hose; D10 X 2 | 40 02 034 | | |
| 13.5 | O-ring; 46 X 6,0 | 27 07 085 | | |
| 14 | Hexagonal nut; M5 | 21 01 203 | 3 | |
| 15 | Floating switch installation set | 55 28 255 | | |
| 15.1 | Nut; M14 X 2, D26,8 X 8 | 60003989 | | |
| 15.2 | Ring; D14,3 X D32 X 11 | 60003943 | | |
| 15.3 | O-ring; 24 X 3,0 | 27 07 087 | | |
| 15.4 | O-ring; 11,11 X 1,78 | 27 07 079 | | |

For missing items, see next page



GS 302 - GS 310 - GS 315**Pressure-independent boiler**

| Item. | Designation | Parts no.: | Pc. | Notes |
|-------|---|------------|-----|---|
| 16 | Heater with fuse; 5.0kW; 3 X 380-420V | 60003598 | | Rotary current (star connection) |
| 16 | Heater with fuse; 5.0kW; 3 X 240V DREIECK | 60003599 | | Rotary current (delta connection) |
| 16 | Heater with fuse; 5.0kW; 3 X 200-208V STERN | 60003600 | | |
| 16 | Heater with fuse; 5.0kW; 3 X 380-420V STERN | 60003601 | | Rotary current (Australia) |
| 16 | Heater with fuse; 5.0kW; 3 X 440-460V STERN | 60003833 | | |
| 16 | Heater with fuse; 3.5kW; 3 X 400V STERN | 60003602 | | Rotary current (fuse protection 10A) |
| 16 | Heater with fuse; 4.0kW; 1 X 220-240V | 60003604 | | Alternating current (fuse protection 25A; UK) |
| 16 | Heater with fuse; 2.6kW; 1 X 220-240V | 60003605 | | Alternating current (fuse protection 16A) |
| 16 | Heater with fuse; 2.6kW; 1 X 240V | 60003606 | | Alternating current (fuse protection 16A; Australia) |
| 16 | Heater with fuse; 2.6kW; 1 X 208V | 60003607 | | Alternating current (fuse protection 20A; Japan, USA) |
| 16 | Heater with fuse; 1.8kW; 1 X 220-240V | 60003610 | | Alternating current (fuse protection 13A; UK) |
| 16.1 | O-ring; 46 X 6,0 | 27 07 085 | | |
| 16.2 | Appliance terminal G10/4; 4-POLIG; 10QMM | 31 09 227 | | |
| 17 | Nut; M14 X 2, D26,8 X 8 | 60003989 | | |
| 18 | Ring; D14,3 X D32 X 11 | 60003872 | | |
| 19 | O-ring; 24 X 3,0 | 27 07 087 | | |
| 20 | O-ring; 11,11 X 1,78 | 27 07 079 | | |

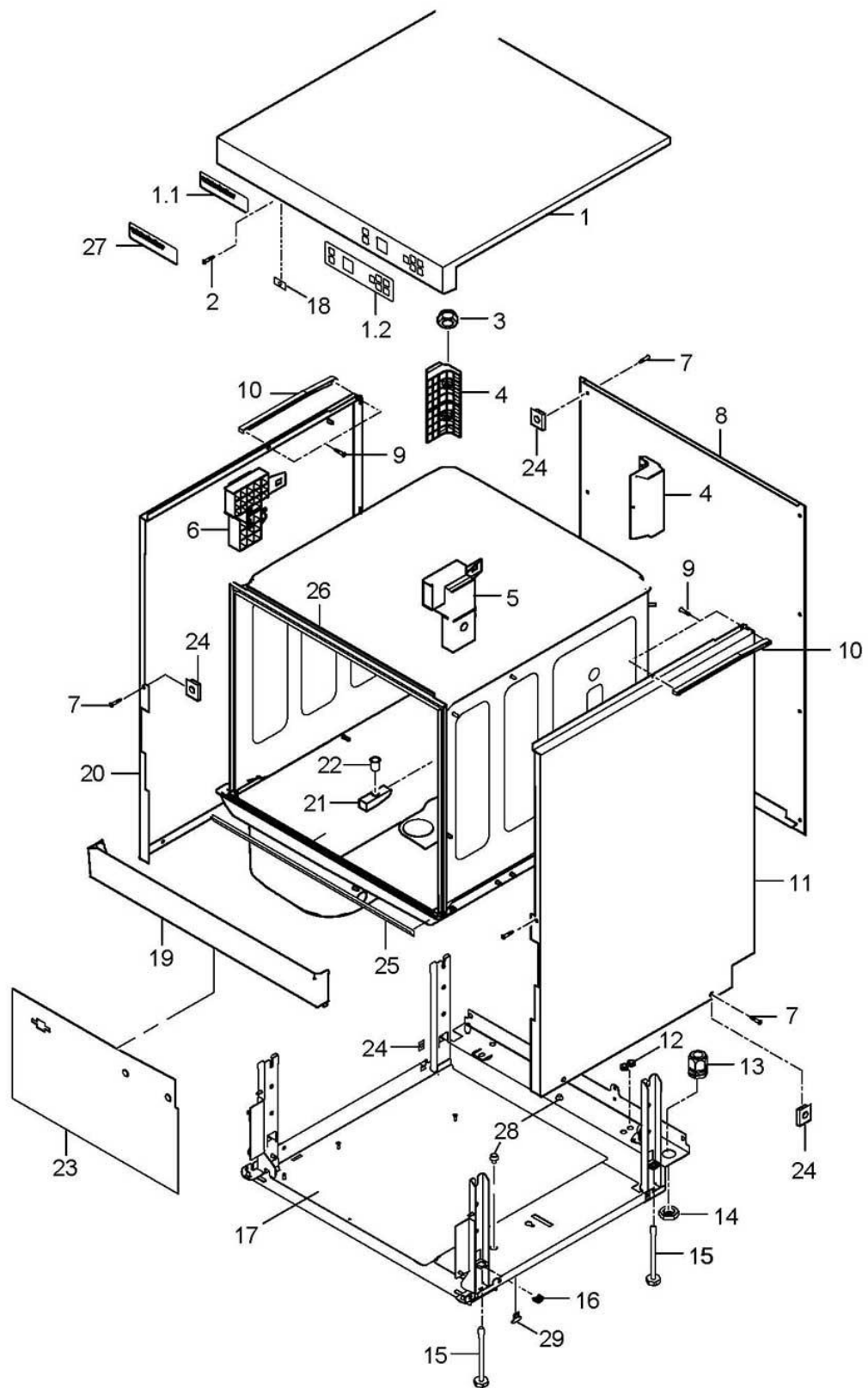


GS215302/315 62003361-03

GS 302 - GS 310 - GS 315

Dosage

| Item. | Designation | Parts no.: | Pc. | Notes |
|-------|--|------------|-----|--|
| 1 | Dosing nipple set, M10 X 29; SW5 | 61005883 | | |
| 1.1 | O-ring; 10 X 2,5 | 27 07 030 | | |
| 1.2 | Wire hose clamp; D8,6 X 1 | 28 02 348 | | |
| 2 | End cap; D5,7 X 25,4 | 35 06 180 | | |
| 3 | Hose; DN5 X 1,5 | 40 01 024 | | 900 mm; "By-the-metre" goods |
| 4 | Fluidos DB "Rinse aid" kit; 115-240V/50-60HZ | 31 02 598 | | |
| 5 | Adapter plate; 1,5 X 80 X 100 | 60003688 | | |
| 6 | Binding post; 5-POLIG; 6QMM; 56,5LG | 31 09 230 | | for connecting external dispenser |
| 7 | Hose; DN5 X 1,5 | 40 01 024 | | 600 mm; "By-the-metre" goods |
| 8 | Hose; DN5 X 1,5 | 40 01 024 | | 300 mm; "By-the-metre" goods |
| 9 | Hose; DN5 X 1,5 | 40 01 024 | | 800 mm; "By-the-metre" goods |
| 10 | Captive nut; M8 | 21 13 006 | | to machine no.: 493 480 |
| 10 | Stud bolt; M8 X 37; M12 | 60003658 | | from mach. no. 493 481 |
| 11 | Detergent container | 60003747 | | |
| 11.1 | Label detergent; 0,2 X 28 X 65 | 60003330 | | |
| 11.2 | Label -Rinse Aid-; 0,2 X 28 X 65 | 60003310 | | |
| 11.3 | Hose; DN5 X 1,5 | 40 01 024 | | 50 mm; "By-the-metre" goods |
| 11.4 | Cover | 60003974 | | retrofitable; for both sides |
| 12 | Magnet support | 60003643 | | to machine no.: 493 480 |
| 12 | Magnet support | 60003952 | | from mach. no. 493 481 |
| 13 | Hexagonal nut; M4 SELBSTSICHERND | 21 05 300 | | |
| 14 | Hexagonal nut; M5 SELBSTSICHERND | 21 05 302 | 3 | |
| 15 | Set of levers | 60003778 | | |
| 15.1 | Hexagon screw; M4 X 18 | 20 01 320 | | |
| 18 | Set of detergent flaps | 60004140 | | with detergent, freshwater rinse dispenser |
| 18.1 | Profile; 12,5 X 28 X 50 | 60003569 | 2 | |
| 19 | Bracket; 1,25 X 25 X 243,08 | 60003823 | | without detergent, freshwater rinse dispenser; From machine no.: 480 029 |
| 20 | Sheet metal nut; B 3,9 | 21 17 301 | 4 | |
| 21 | Sheet metal screw; ST 3,9 X 13 | 20 20 310 | 4 | |
| 22 | Elbow; 1,0 X 43 X 100 | 60003633 | | |
| 23 | Handle kit | 60003650 | | |
| 24 | Countersunk screw; M4 X 10 | 20 12 312 | | |
| 25 | Magnetic switch; 25,5 X D5,75; 2250 LG | 31 24 240 | | |
| 26 | T-hose socket; D6 | 29 06 516 | | Additional equipment |
| 27 | PT screw; KB 60 X 12 | 20 17 308 | 2 | |
| 28 | Macro-module plug; RAST5; 4-POLIG UNCOD. | 31 12 094 | | |
| 29 | Raised head screw; M3 X 10 | 20 10 004 | | |
| 30 | Washer; D5,3 X D15 X 1,2 | 22 05 301 | | |
| 31 | Buzzer; 230VAC; 75DB; 23X30,5MM | 31 13 133 | | Additional equipment |
| 31 | Set of acoustical level indicators; WPS MAX. VORHANDEN | 55 28 281 | | with max. WPS version |
| 31 | Set of acoustical level indicators; WPS MAX.NICHT VORHAND. | 55 28 282 | | with min. WPS version |
| 33 | Wire hose clamp; D8,6 X 1 | 28 02 348 | | |
| 34 | Front panelling, complete | 60003827 | | without detergent, freshwater rinse dispenser; up to mach. no. 480028; order too: 2x60003823 |
| 35 | Fluidos DT "Detergent" kit; 115-240V/50-60HZ | 31 02 597 | | |
| o.P. | Fluidos DT "Detergent" retrofit kit | 30000005 | | GS 302, GS 315 |
| 36 | Adapter; 11,4 X 33,5 X 57,5 | 80003775 | | From machine no.: 1001846 |

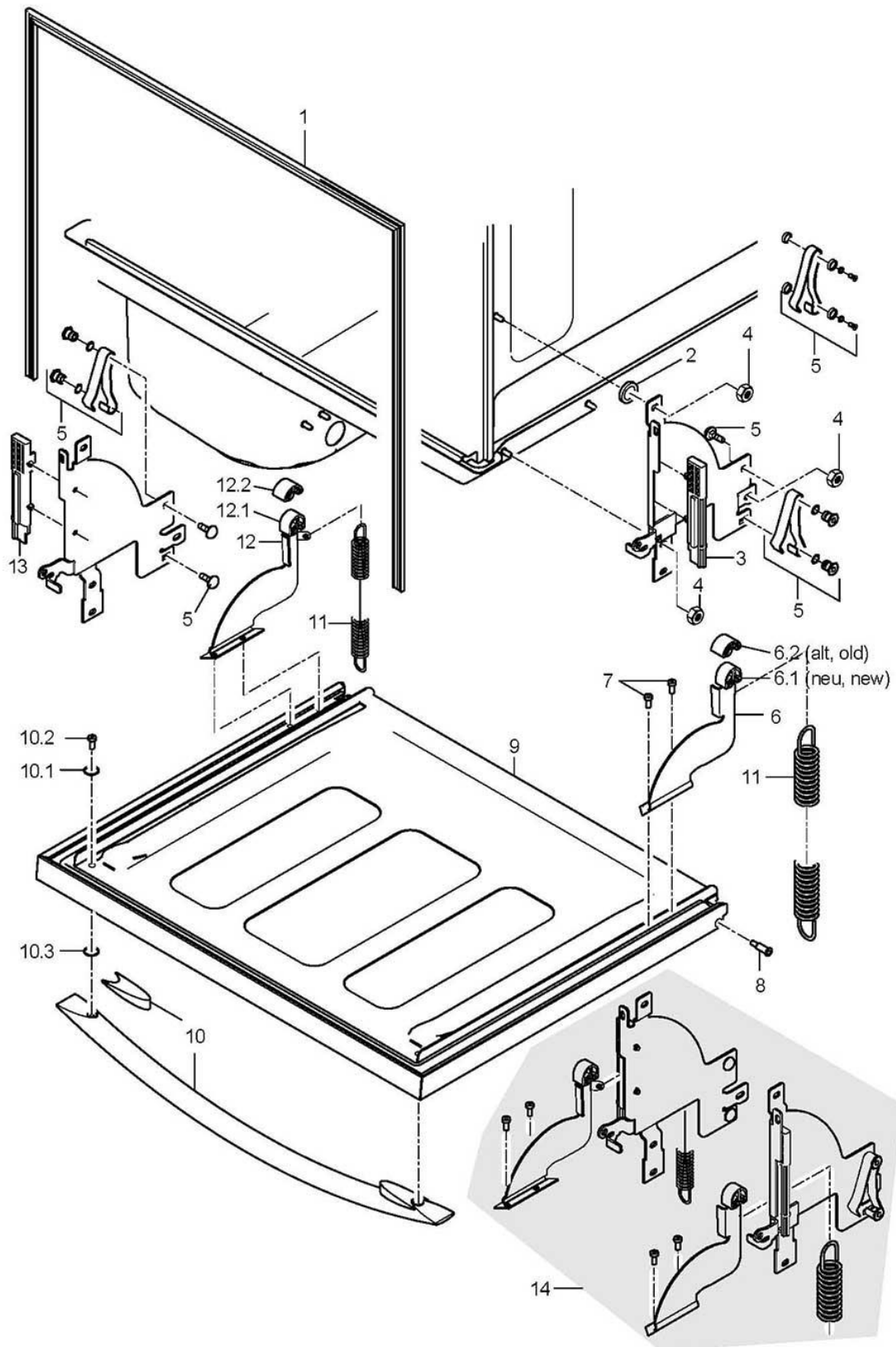


GS302315 60008534-00

GS 302 - GS 310 - GS 315

Chassis, container and panelling

| Item. | Designation | Parts no.: | Pc. | Notes |
|-------|---|------------|-----|---|
| 1 | Cover plate kit | 60003521 | | |
| 1.1 | Plate -Winterhalter GS 302-; 0,175 X 35 X 126 | 60004381 | | |
| 1.1 | Plate -Winterhalter GS 315-; 0,175 X 35 X 126 | 60004382 | | |
| 1.2 | Pad -Operating Panel-; 0,175 X 50 X 180 | 31 24 223 | | |
| 2 | Plate screw; ST 3,9 X 13 | 20 21 302 | 2 | |
| 3 | Ratchet nut; M5 | 21 01 310 | | |
| 4 | Support corner rear | 60003010 | 2 | |
| 5 | Support corner front right | 60003009 | | |
| 6 | Support corner left | 60003008 | | |
| 7 | Sheet metal screw; ST 3,9 X 13 | 20 20 310 | 16 | |
| 8 | Rear cover | 60003882 | | GS 302 + GS 310; Plastic; only for machines with foil tank heater |
| 8 | Rear cover | 60004561 | | GS 302 + GS 310; High grade steel; Additional equipment |
| 8 | Rear cover | 60004562 | | GS 315; Stainless steel |
| 9 | Plate screw; ST 3,9 X 13 | 20 21 302 | 2 | |
| 10 | Slide for cover panel; 250,50 LG | 60003501 | | |
| 11 | Housing panel right | 60003343 | | |
| 12 | Hose nozzle; 6,25 X D15; D8,5 | 61004890 | 3 | |
| 13 | Cable gland; M25 X 1,5; 9-17MM; IP68 | 31 10 153 | | |
| 14 | Hexagonal nut; M25 X 1,5 X 6,0; SW32 | 31 10 163 | | |
| 15 | Adjustable foot; M8 X 129; SW24 | 60004274 | 4 | |
| 16 | Captive nut; M8 | 21 13 006 | 4 | |
| 17 | Bottom plate, complete | 60003441 | | to machine no.: 473 308 |
| 17 | Base plate; 2,0 X 444,5 X 479 | 60003749 | | From machine no.: 473 309 |
| 18 | Plate nut; B 3,9 | 21 17 100 | 2 | |
| 19 | Panel; 1,0 X 149,23 X 703,38 | 60003754 | | |
| 20 | Housing panel left compl. | 60003342 | | |
| 21 | Rack stop; 18 X 20 X 65 | 60003630 | | GS 315 |
| 22 | Truss-head screw with retaining ring; M5 X 15 | 70005097 | | GS 315 |
| 23 | Protective film; 0,185 X 196 X 330 | 60003838 | | retrofittable |
| 24 | Sheet metal nut; B 3,9 | 21 17 301 | 16 | |
| 25 | Rubber profile; 6,0 X 12 X 570 | 60003847 | | |
| 26 | Adhesive tape; 9 BREIT; 2 DICK X 10000 | 48 03 022 | 1 | 1 roll = 1 m |
| 27 | Plate -Winterhalter GS 310-; 0,175 X 35 X 126 | 60004383 | | GS 310 |
| 28 | Buffer; D8 X 14 | 40 06 023 | 2 | |
| 29 | Latch; 1,5 X 18,9 X 23,9 | 60003732 | 2 | |
| o.P. | Set of vapour protectors, cpl. | 80002865 | | Additional equipment |

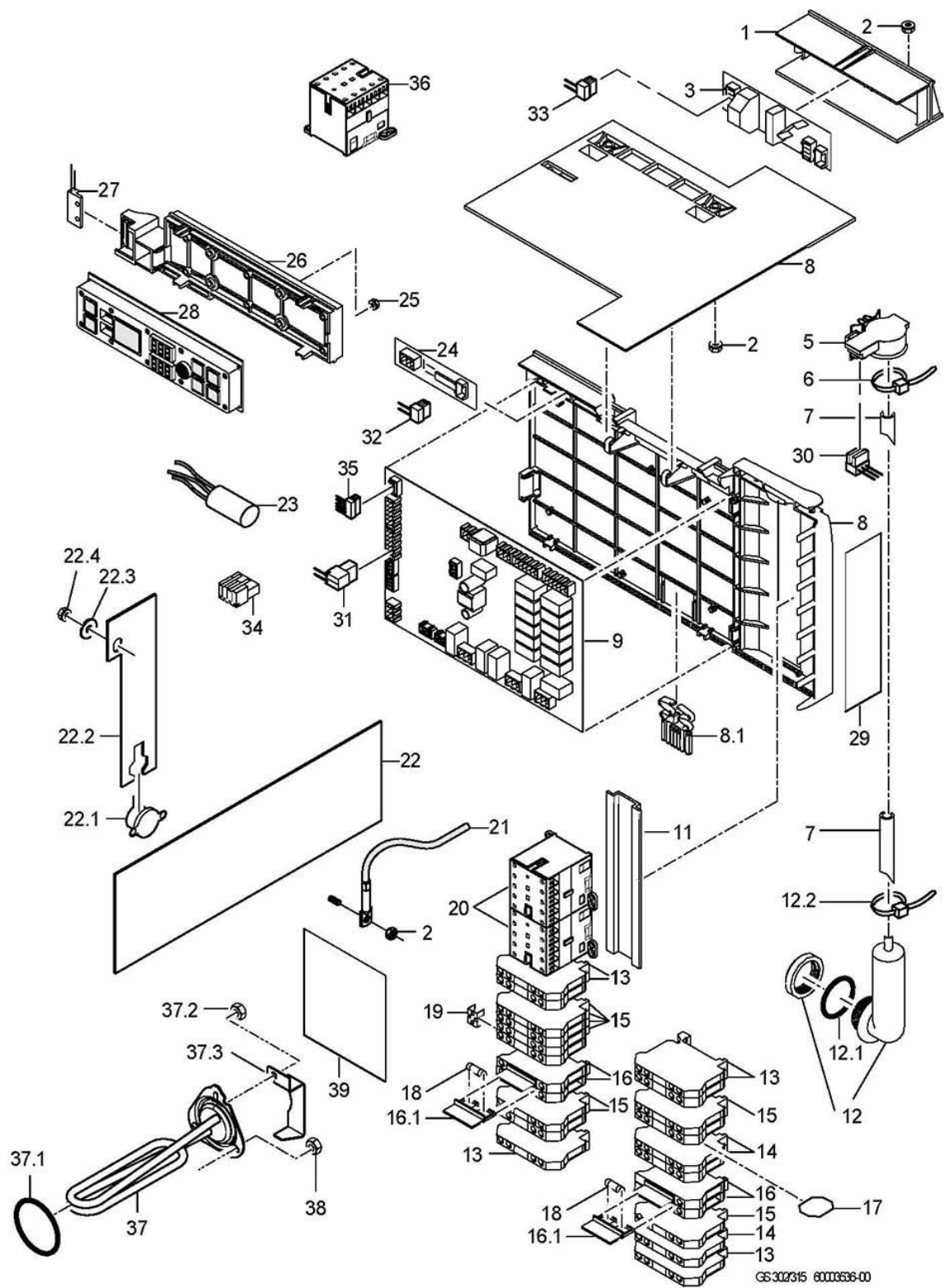


GS 302/310/315 60003535-02

GS 302 - GS 310 - GS 315

Door

| Item. | Designation | Parts no.: | Pc. | Notes |
|-------|--|------------|-----|---|
| 1 | Door seal | 60003066 | | |
| 2 | Washer; D5,3 X D15 X 1,2 | 22 05 301 | | |
| 3 | Right stop | 60003411 | | |
| 4 | Hexagonal nut; M5 SELBSTSICHERND | 21 05 302 | 3 | |
| 5 | Leaf spring repair kit | 60003744 | | for both sides; up to mach. no.: 496 855 |
| 5 | Leaf spring repair kit | 60003998 | | for both sides; from mach. no. 496 856 |
| 6 | Brace right, offset, cpl. | 60003995 | | incl. item 6.1 - 6.2 |
| 6.1 | Sliding roller | 60003870 | | |
| 6.2 | Sliding roller | 60003214 | | |
| 7 | Cylindrical screw; M5 X 14,8; SW3 | 62003334 | 4 | |
| 8 | Door bearing bolt; D9 X D7,0 X M5; SW4 | 60003147 | 2 | |
| 9 | Door cpl. | 60003014 | | without door handle |
| 10 | Door handle kit | 60003522 | | |
| 10.1 | O-ring; 5 X 1,2 | 27 07 070 | 2 | |
| 10.2 | Oval head screw with hexagonal socket; M5 X 30 MIT FLANSCH | 20 10 308 | 2 | |
| 10.3 | O-ring; 6 X 2 | 27 07 012 | 2 | |
| 11 | Tension spring; L0=193;L1=360;F1=82 | 60003697 | 2 | |
| 12 | Brace left, offset, cpl. | 60003994 | | incl. item 12.1 - 12.2 |
| 12.1 | Sliding roller | 60003870 | | |
| 12.2 | Sliding roller | 60003214 | | |
| 13 | Left stop | 60003410 | | |
| 14 | Hinge conversion kit 302 | 60003999 | | produced in series starting with machine no.: 496 856 |
| o.P. | Silicone adhesive Elastosil E43; 90 ML | 34 03 012 | | for door seals |

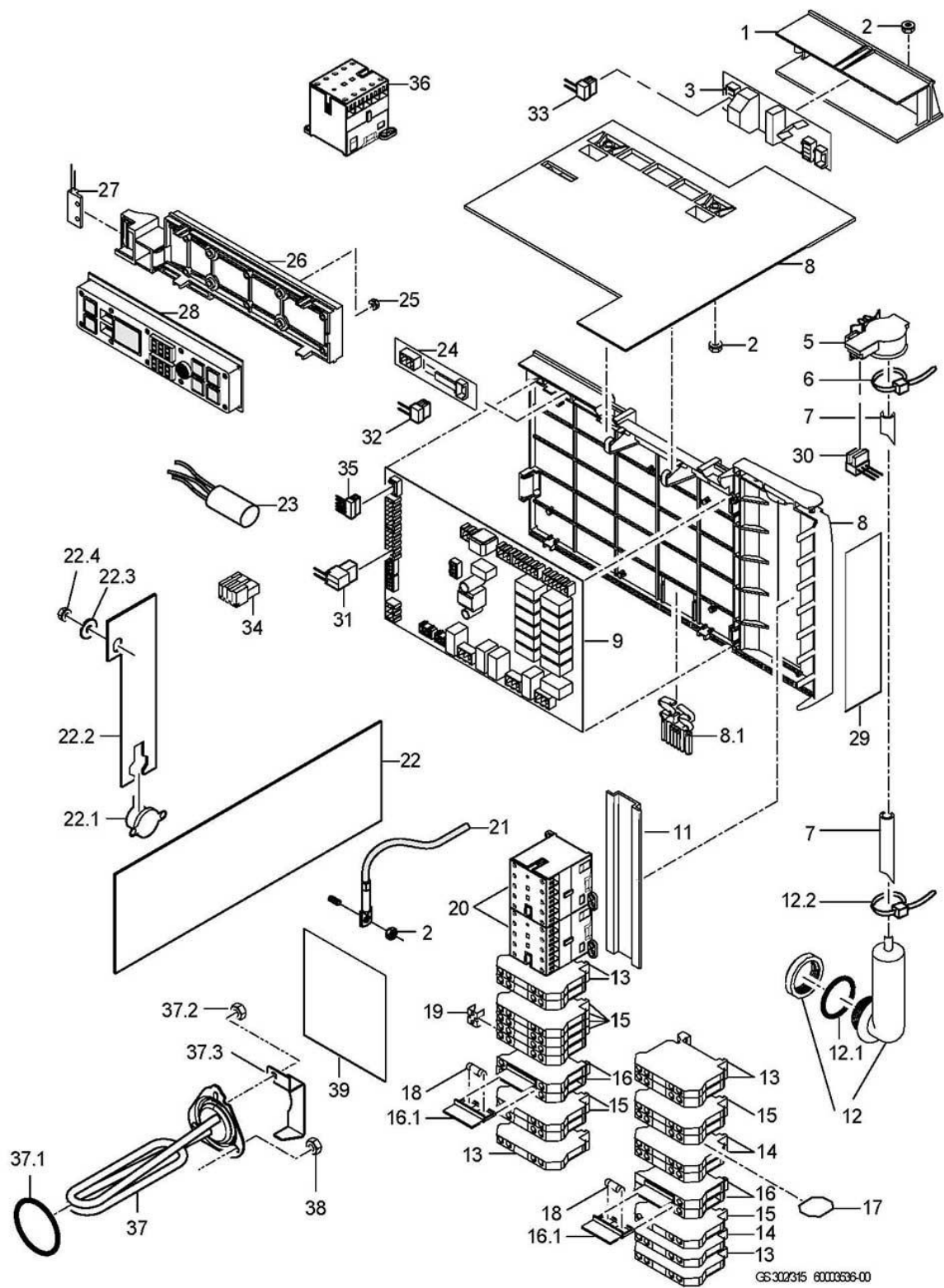


GS 302 - GS 310 - GS 315

Electric parts

| Item. | Designation | Parts no.: | Pc. | Notes |
|-------|--|------------|-----|------------------------------------|
| 1 | Protective cover; SCHWARZ | 60003541 | | |
| 2 | Ratchet nut; M5 | 21 01 310 | 4 | |
| 3 | Soft start WSA4 | 31 13 180 | | |
| 5 | Pressure transmitter; 0-30MBAR;5VDC/0,5-3,5V | 31 26 044 | | |
| 6 | Cable tie; 100 X 2,5 | 31 20 175 | | |
| 7 | Hose; DN5 X 1,5 | 40 01 024 | | 860 mm; "By-the-metre" goods |
| 8 | Assembly plate | 60003660 | | incl. item 8.1 |
| 8.1 | Latch; SCHWARZ | 60003356 | | |
| 9 | Programme control WPS MAX Kit; 180-265V; 50/60HZ | 31 05 139 | | |
| 11 | Snap-on rail; 1,0 X 35 X 185 | 60003244 | | |
| 12 | Air chamber set | 60003525 | | |
| 12.1 | O-ring | 30000196 | | |
| 12.2 | Cable tie; 100 X 2,5 | 31 20 175 | | |
| 13 | UDK 4-PE double terminal | 31 09 153 | 3 | |
| 14 | UDK 4 double terminal | 31 09 151 | | |
| 15 | UDK 4 BU double terminal | 31 09 152 | | |
| 16 | Universal fuse clip | 31 09 063 | 2 | |
| 16.1 | Securing plug | 31 09 072 | | |
| 17 | Isolating disc; 14 X 16 | 31 09 169 | | |
| 18 | Fine fuse, medium time lag; 250V; 4,0A; 5 X 20 | 31 11 123 | 2 | has been reduced from 6.3A to 4.0A |
| 19 | Fixed bridge; 2-POLIG; | 31 09 126 | | |
| 20 | Contactora B7:3H 1 N/C contact; 220-255V/50-60HZ | 31 04 154 | 2 | |
| 20 | Contactora B7:3H 1 N/C contact; 200V/50-60HZ | 31 04 171 | 2 | Japan; USA |
| 20 | Contactora B7:3H:1Ö; 208V/50-60HZ | 31 04 176 | 2 | |
| 21 | Thermal sensor kit 1700mm | 80003804 | | with heat-conducting foil |
| 22 | Foil heating element 600 watts; 230V, 310 X 115MM | 60003653 | | |
| 22 | Foil heating element 600 watts; 208V, 310 X 115MM | 60003654 | | Japan; USA |
| 22.1 | Safety thermostat; 185 GRAD C MAN.RÜCKST. | 31 25 053 | | |
| 22.2 | Retainer; 1,0 X 35 X 110,7 | 60003939 | | |
| 22.3 | Washer; D5,3 X D15 X 1,2 | 22 05 301 | | |
| 22.4 | Hexagonal nut; M5 SELBSTSICHERND | 21 05 302 | | |
| 23 | Radio interference suppression capacitor; 0,27MF + 2 X 27000PF | 31 13 078 | | |
| 24 | Level sensor, electronic; 12V; 7MA; 80 X 20 MM | 31 13 164 | | Pressure-independent boiler |
| 25 | Nut-and-washer assembly; M3 | 21 01 312 | 4 | |
| 26 | Support for operating panel | 60003350 | | |
| 27 | Magnetic switch; 32 X 14,9 X 6,9; 400LG | 31 24 229 | | |
| 28 | Operating panel; 25 X 55 X 210 | 31 24 222 | | |
| 29 | Protective film; 0,185 X 52 X 195 | 60003764 | 2 | retrofittable |
| 30 | Pressure transmitter cable; 3 X 0,34QMM | 60003355 | | |

For missing items, see next page



GS 302 - GS 310 - GS 315

Electric parts

| Item. | Designation | Parts no.: | Pc. | Notes |
|-------|--|------------|-----|----------------|
| 31 | Wiring loom; Water softener | 60003185 | | GS 302, GS 315 |
| 32 | Cable for level sensor; 2 X 0,34QMM | 60003175 | | |
| 33 | Wiring loom; Soft start | 60003475 | | |
| 34 | Macro-module plug; RAST5; 2-POLIG; UNCOD. | 31 12 091 | | |
| 34 | Macro-module plug; RAST5;3-POLIG UNCOD. | 31 12 093 | | |
| 34 | Macro-module plug; RAST5;4-POLIG UNCOD. | 31 12 094 | | |
| 34 | Macro-module plug; RAST2,5;3-POLIG UNCOD. | 31 12 095 | | |
| 34 | Macro-module plug; RAST2,5;5-POLIG UNCOD. | 31 12 096 | | |
| 35 | Cable bus; 5 X 0,34QMM | 60003174 | | |
| 36 | Contacto B7:3H 1 N/C contact; 220-255V/50-60HZ | 31 04 154 | | |
| 36 | Contacto B7:3H 1 N/C contact; 200V/50-60HZ | 31 04 171 | | |
| 37 | Heater with fuse kit, 2.6kW; 1 X 220-240V | 60004704 | | Option |
| 37 | Heater with fuse kit, 5.0kW; 3 X 380-420V | 60004705 | | Option |
| 37 | Heater with fuse kit, 5.0kW; 3 X 230V | 60004706 | | Option |
| 37 | Heater with fuse kit, 5.0kW; 3 X 200V | 60004707 | | Option |
| 37.1 | O-ring; 46 X 6,0 | 27 07 085 | | |
| 37.2 | Hexagonal nut; M5 SELBSTSICHERND | 21 05 302 | | |
| 37.3 | Bracket; 1,25 X 26,25 X 101,55 | 60004621 | | |
| 38 | Hexagonal nut; M5 | 21 01 203 | 3 | |
| 39 | Protective film; 0,31 X 100 X 100 | 60004267 | | |